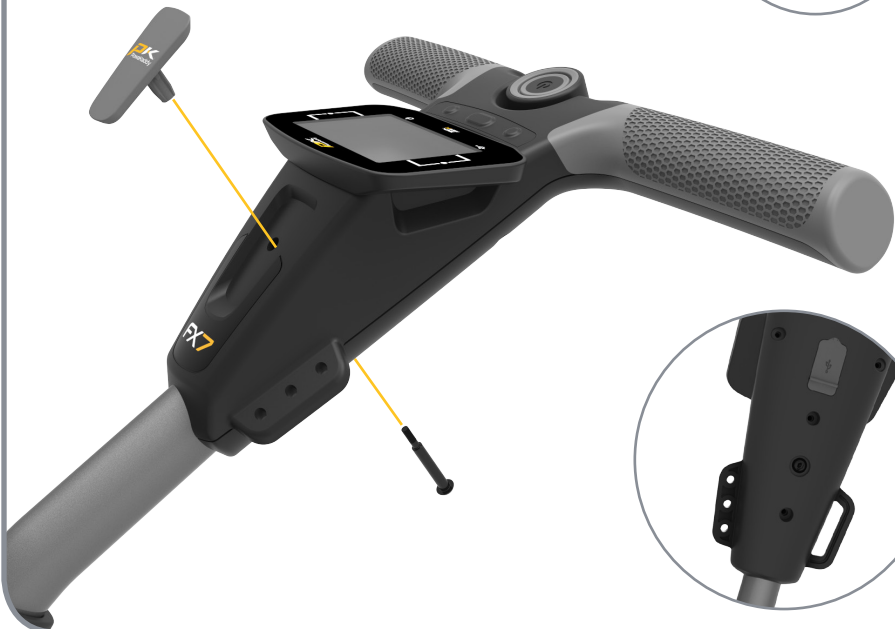




# HANDLE ACCESSORY FITTING INSTRUCTIONS

## FX & CT RANGE

Remove the Accessory Trim Screw from the underside of the handle using the supplied hex key. Lift away the accessory trim.



# UMBRELLA HOLDER

The umbrella holder comes pre-assembled to the accessory station. Attach to the handle using the long screw provided.



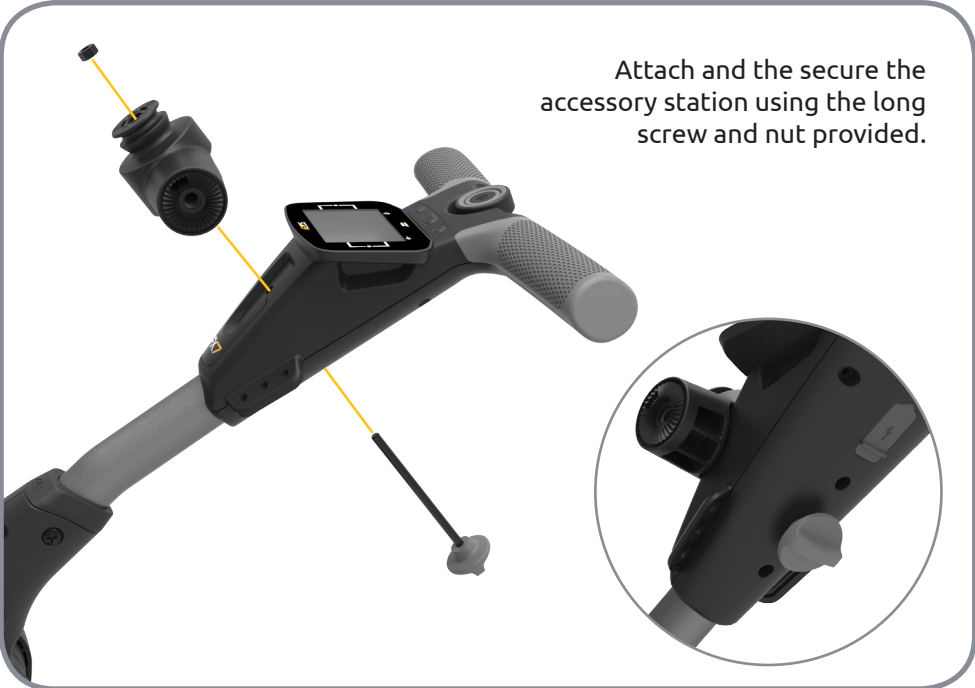
Secure the umbrella in the holder using the top screw.



Rotate the umbrella holder for the ideal position during use and storage.



# DRINKS & SCORECARD HOLDER





Secure the scorecard holder using the short screw provided.



For More Game Changing Technology Visit  
[PowaKaddy.com](http://PowaKaddy.com)